

# RADICAL ENLIGHTEN

## PREMIUM IPTV HOSPITALITY SOLUTION



### LUXURY YOUR HOTEL TO 5 STARS PLUS BY IPTV SYSTEM

Radical Enlighten give you the privilege by offer premium IPTV tenology brings you top-level entertainment, x-sell opportunities and state-of-art guest services for your hospitality business. Starting from crystal clear HD TV channels reception, through fully customizable guest services user interface on your screen to modern on-demand movies, TV archive, internet services access, guest mediaplayer, local touristic information service and many more. Easy to use reception interface for guest requests management. Quick setup in hotel of any size for standalone operation or full integration with hotel information systems.



- Hotels**
- Hospitals**
- App. Houses**
- Compounds**
- Gated communities**

### TOP FEATURES

- Crystal clear HD TV channels
- Hotel bill, Food ordering, Messages and more
- On-demand movies
- Content Management Systems
- Internet apps
- Media Player
- Quick setup
- In-room Wi-Fi
- No power supply in room needed for STB - PoE



### In-Room TV Control Integration



## High-Definition TV, latest entertainment options, top guest experience

Juice Hospitality delivers easy to set-up turnkey head-end and room premises equipment for live TV integrated with all premises related services and entertainment options. Using Juice HD set-top boxes you can be sure about future-proof media solution fulfilling highest guest expectations.



## All Guest Services on TV screen

Juice Hospitality IPTV brings all your hospitality offers on your guests TV Screen. 24/7 available, easy understandable multilanguage interface increases the chance to sell your food service, relaxation, sightseeing and business guest products. All easy to setup and modify without any need of complicated coding or development.



## Top-Notch Fun Features

Perfect to keep your guest entertained any time of the day. Latest HD movies, local sightseeing information, or using DLNA media player to share hotel entertainment database or guests USB storage to allow them to view latest pictures from the busy day spent on attractions. Instant access to web browser and most viewed apps - youtube, facebook, etc.



## Reception User Interface

All guest requests and messages are easily collected and managed directly from reception desk and/or other hotel departments using unified user interface.



## Content Management System and Integration

Feature-rich CMS allows the hotel to bring all new guest offers and services to the TV screens instantly – without expensive technical support or development – from new room service options, through special promotions to 3rd party offers. Nothing is easier than to add or remove menus, submenus and specific items, all ready within minutes to give you enough time to spend time with your guests not with technology.







## Main Menu

Easy to navigate interface with direct access to food delivery, video on demand, my bill and other upsell and cross-sell options.



## Interactive TV

High Definition TV, Electronic Program Guide, timeshifted TV and movies on demand all on your guest room screens. Media player, web access and internet apps will complete the guest experience.



## Food Delivery

All your room-service offer is now available via guest TV set. All guest must do is to select food option and confirm by OK button. All guest request appear on reception dashboard or in your hotel system instantly.



## My Bill

All guest orders ordered by IPTV or in other hotel departments will appear in one simple table for guest to review before check-out thanks to integration with your hotel system.



## Messaging

All communication from reception can appear on TV screen instantly. Older messages are stored in guests inbox on TV.



## Content Management System

All guest offers (main menu, food service, hotel services, sightseeing options, etc.) can be quickly modified or extended using content management system. No coding is necessary, everything is provided by simple WYSIWYG interface.



## Hotel Systems Integration

Juice Hospitality IPTV communicates with Fidelio information system so all guests orders are automatically transferred to your hotel system and data from the system are imported to IPTV system. This way the client can see his hotel bill or kitchen know about food order instantly.



## Reception Desk Dashboard

Juice IPTV System can work independently without integration with 3rd party systems as well. Reception Desk collects all requests coming from the rooms as well as my bill status and messaging systems to guest rooms.



## Hotel Services

Hotel can easily add or remove its products and services – from wakeup calls, through massages, restaurant or tours reservations to taxi orders. Everything is managed by content management systems and the result appears without any intermediary work on guests TV sets.

## HOSPITALITY IPTV SET-TOP BOX&IN-ROOM WI-FI

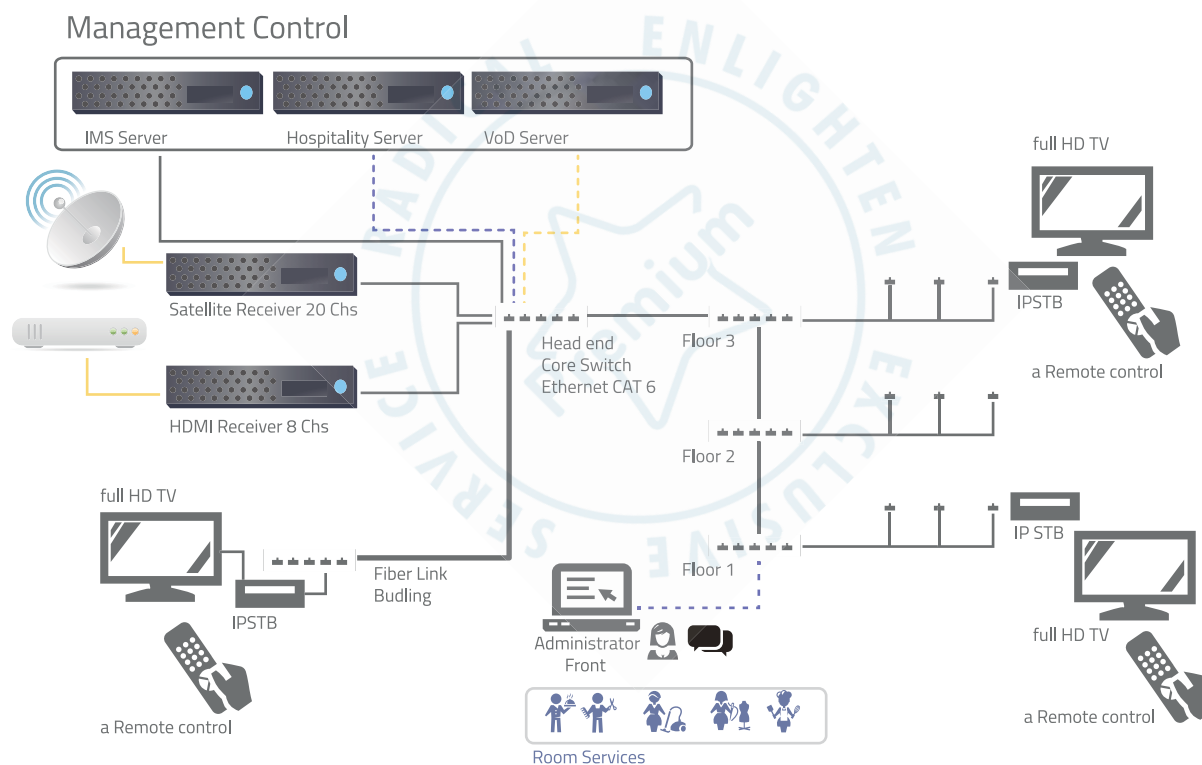
Second IR for easy in-room mounting.



Power over Ethernet (PoE)

Radical Enlighten bound with Antik Technology from Slovakia delivers state-of-art Juice Mini 2 set-tops customized for hospitality operation. Equipped with remote IR receiver, in-room wireless access point add-on and power over Ethernet feature for no extra cables in room.

## HOW TO SETUP YOUR HOTEL IPTV?



## HOSPITALITY IPTV COMPONENTS AT GLANCE

- TMX2000 DVB-C/S2/T receiver
- 8CHS HDMI / CVBS Encoder
- VOD Server
- IPTV Management System & PMS
- Hospitality CMS
- Hospitality Middleware
- Hospitality STB
- Media Apps
- Hospitality IPTV Accessories (Keyboard, Wi-Fi)
- DVB-C/S2/T to IP receiver (MX series)

Thailand Official Contact :

**RADICAL ENLIGHTEN CO., LTD.**

Tel : +66 02 136 1628  
Mobile : +66 086 1445302

Slovakia (European Union)

**ANTIK TECHNOLOGY**

Global Office  
Cerekeho 10  
Tel.: +421 55 30 12345  
Fax: +421 55 623 4401